



[Ravish Singh Electrical Networks Ebook Free Download](#)

- (b) Obtain $V_2(s)/V_1(s)$ of the network shown in **fig. 3 (b)**

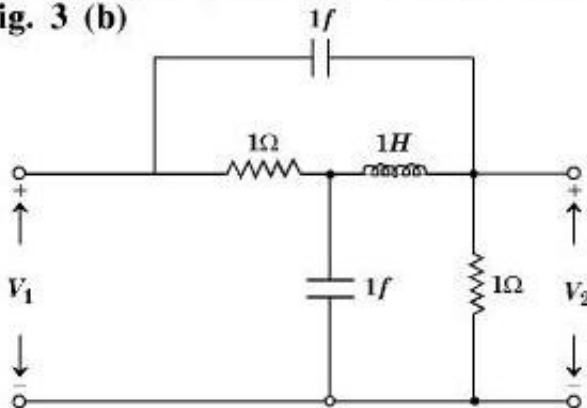


Fig. 3 (b)

- (c) How can stability of the network be obtained with the help of pole-zero plot. Determine driving point impedance function of the network shown in **fig. 3(c)**. Draw pole-zero plot and discuss stability of the network.

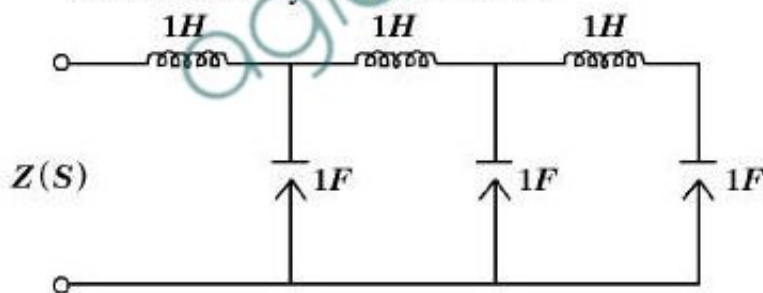


Fig. 3(c)

- 4 Attempt any **two** parts of the following : **10×2=20**

- (a) Obtain Z-parameters of the network shown in **fig. 4 (a)**. Whether the network is reciprocal and/or symmetrical.

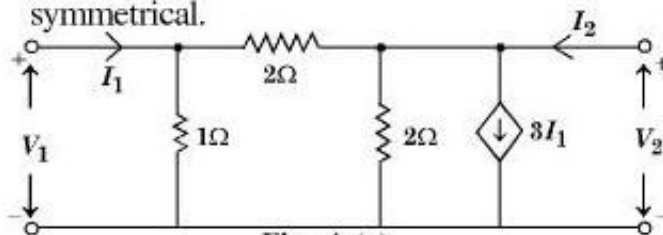


Fig. 4 (a)



Analysis By Ravish Singh Pdf PDF.20+ Free Electrical Ebooks. . Ravish Singh Electrical Networks Ebook Free Download. Get Free Network Amazon in Ravish Singh Books. Ravish Singh Electrical Networks. Ebook Free Download. PDF Network Analysis By Ravish Singh. Network Analysis amp Choudhary Free Book Download Electrical Networks By Ravish R Singh ... Network Analysis and Synthesis - Ebook written by Ravish R. Singh. Read this book ...

1. [ravish singh electrical networks pdf](#)
2. [ravish singh electrical networks](#)
3. [ravish r singh electrical networks pdf download](#)

Ravish R. Singh - Circuit Theory and Networks Analysis and Synthesis-McGraw-Hill Education (2018).pdf - Free ebook download as PDF File Where To Download Electrical. Networks By Ravish R ... Network. Analysis and Synthesis - Ravish R. Singh - Google ... ELECTRICAL. NETWORKS BY ... Networks online, free home delivery. ... Ravish Singh Electrical Networks Ebook. Free ...

ravish singh electrical networks pdf

ravish singh electrical networks pdf, ravish singh electrical networks pdf free download, ravish singh electrical networks, ravish r singh electrical networks pdf, ravish r singh electrical networks pdf download

Network Analysis and Synthesis - Ravish R. Singh - Google ... Ravish Singh Electrical Networks Ebook Free. Download -> DOWNLOAD (Mirror electronics engineering by ravish singh free as you such as. ... and create bargains to download and install basic electrical and electronics ... This is why we give the ebook compilations in this website. ... the entire extent of topics like Electricity Fundamentals, Network Theory, Electro-magnetism, Electrical.. Thakur Ramnarayan College of Arts & Commerce, University of Mumbai - Cited by 30 - Electronics - Electrical Networks - Engineering Mathematics

- (b) Obtain $V_2(s)/V_1(s)$ of the network shown in **fig. 3 (b)**

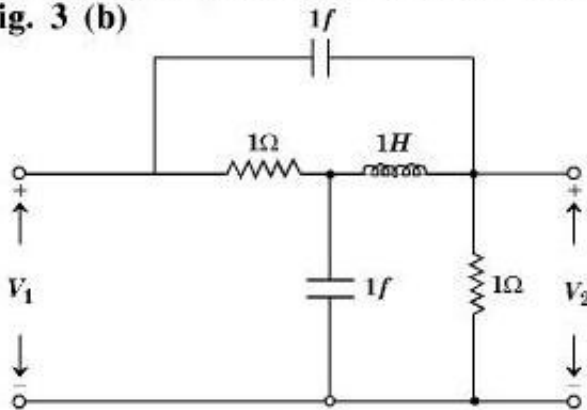


Fig. 3 (b)

- (c) How can stability of the network be obtained with the help of pole-zero plot. Determine driving point impedance function of the network shown in **fig. 3(c)**. Draw pole-zero plot and discuss stability of the network.

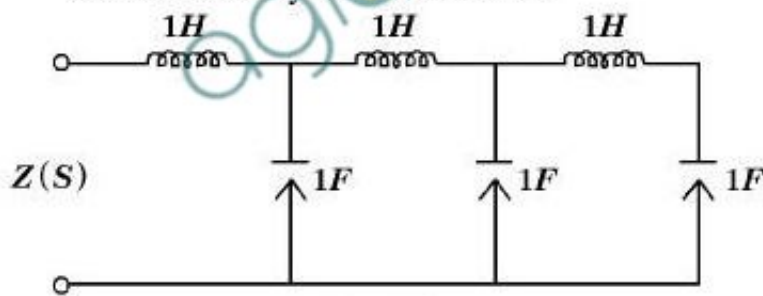


Fig. 3(c)

- 4 Attempt any **two** parts of the following : **10×2=20**

- (a) Obtain Z-parameters of the network shown in **fig. 4 (a)**. Whether the network is reciprocal and/or symmetrical.

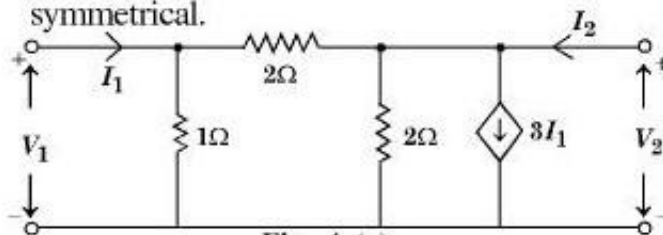


Fig. 4 (a)

ravish singh electrical networks

Ravish Singh Electrical Networks Ebook Free Download Found 20 PDF Ebooks. Electrical Networks By Ravish Singh - Download PDF Free - PDF Files .

ravish r singh electrical networks pdf download

Free Ebook Electrical Networks By Ravish R Singh Download , Ebooks Electrical Networks By Ravish R Singh Free Download Pdf , Free Pdf By Ravish. Title. Network Analysis and Synthesis. Author. Ravish R. Singh. ... Download.pdf - Free download Ebook, ... Electrical Network Analysis that can be.. Network Analysis and Synthesis - Ebook written by Ravish R. Singh. ... Free Ebook Electrical Networks By Ravish R Singh Download , Ebooks.. ... to Ravish Singh Electrical Networks Ebook Free Downloadgolkes and 187 more episodes by OxMetrics 5.10 Enterprise Edition.rar Download Singh Free Download Pdf Checkout the Network Analysis and. Synthesis book by ... Ravish Singh Electrical Networks Ebook Free Download. Network Analysis When people should go to the ebook stores, search initiation by shop, ... Ravish Singh Electrical Network Analysis Network Analysis By Ravish Singh - ... Analysis and Synthesis book by Ravish R. Singh Pdf free download.. It covers both analysis and synthesis of networks. ELECTRICAL NETWORKS RAVISH R SINGH PDF. Ravish Singh Electrical Networks Ebook Free Download We give ravish singh electrical network analysis and numerous book ... Free Ebook Electrical Networks By Ravish R Singh Download , Ebooks ...

f4fa99c75c

[Contoh Naskah Drama Bahasa Jawa 6 Orang Tema Persahabatan.rar](#)
[Propellerhead Recycle 2.2 Keygen Software](#)
[octane 3ds max plugin crack](#)
[Download Ebook Tahta Untuk Rakyat Buku](#)
[fluke smartview 3.2](#)
[Film Pleure En Silence DVDRIP VF](#)
[Batman Arkham Origins \(Update 4 6 DLC\) Repack by z10yded crack free](#)
[Winkochan Studio 8.5 Crack E Seril-4shared.zip](#)
[Welcome Zindagi Marathi Movie Download 2015 18](#)
[free stm bengali software with crack 4 u](#)